

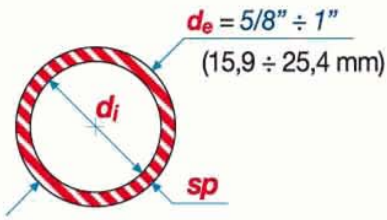
R/141-R/161

Mandrino allargatubi a passo multiplo per piastre tubiere di grosso spessore

Step by step tube expander for thick tube-sheets

Dudgeon évaseur à pas multiple pour plaques tubulaires de forte épaisseur

Selbsttätige Schnellstepp-Rohrwalze für Rohrböden mit großer Stärke

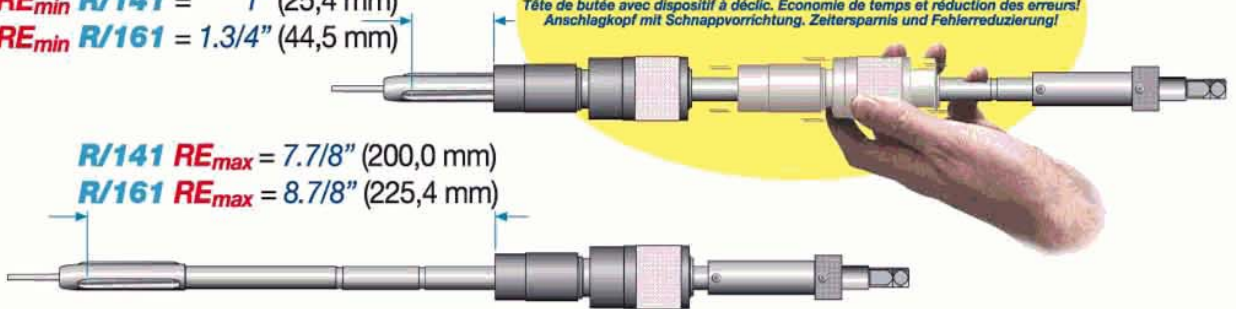


Testa di battuta con dispositivo a scatto. Risparmio di tempo e riduzione degli errori!

Thrust collar with release device. Savings of time and reduction of errors!
Tête de butée avec dispositif à déclic. Economie de temps et réduction des erreurs!
Anschlagkopf mit Schnappvorrichtung. Zeitersparnis und Fehlerreduzierung!

RE_{min} R/141 = 1" (25,4 mm)
 RE_{min} R/161 = 1.3/4" (44,5 mm)

R/141 RE_{max} = 7.7/8" (200,0 mm)
R/161 RE_{max} = 8.7/8" (225,4 mm)



Regolabilità della testa filettata

Adjustment of the threaded thrust collar
Tête fileté réglable
Justierbarkeit des Kopfs mit Gewinde

Dispositivo a molla di ritorno e fermo spina

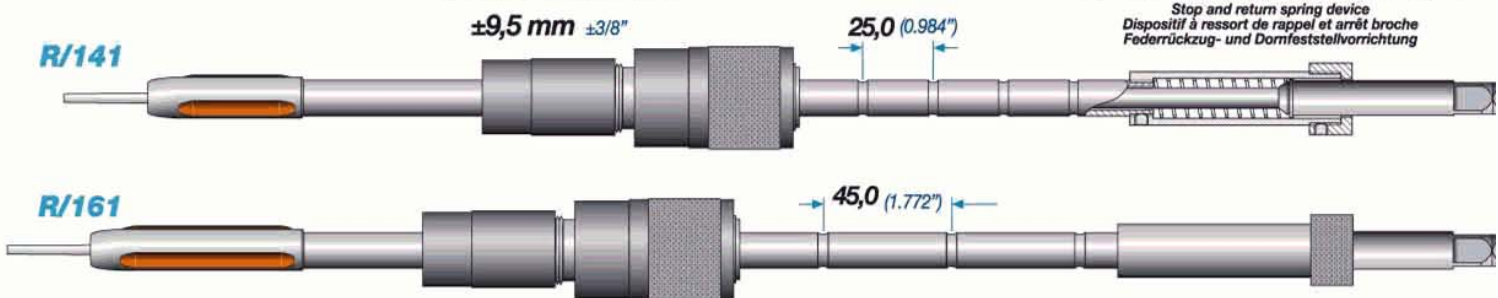
Stop and return spring device
Dispositif à ressort de rappel et arrêt broche
Federrückzug- und Dornfeststellvorrichtung

$\pm 9,5$ mm $\pm 3/8$ "

25,0 (0.984")

R/141

R/161



Codice d'esempio per ordinazione mandrini

Sample code for ordering tube expanders
Code d'exemple pour commande dudgeons
Bestellnr. Bestellbeispiel Rohrwalze

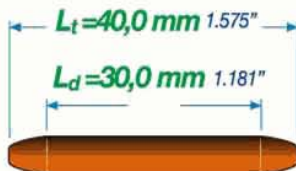
d_e 3/4" - 20 B.W.G.

Testa di battuta

Thrust collar
Tête de butée
Anschlagkopf



R/141



DLS → R141.#-3/B

R/161



DLS → R161.#-3/B

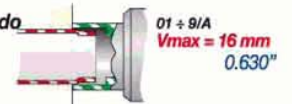
.0 a battuta piana
with plane shoulder
a butée plane
mit flachem Anschlag



.1 con incavo a 3 mm
with 3 mm recess
avec entaille à 3 mm
mit 3 mm Eindrehung



.2 con incavo profondo
with deep recess
avec entaille profonde
mit tiefer Eindrehung



Tubo
Tube
TUBE
Rohr

R/141 R/161

Mandrinatrici consigliate

Suggested rolling machines
Dudgounneuses conseillées
Empfohlene Rohrwalzanlagen

de inches mm	sp		dj		Espansione Expansion Expansion Walzbereich		Mandrino Tube expander Dudgeon Rohrwalzen	Rulli Rolls Galets Rollen	Mandrino Tube expander Dudgeon Rohrwalzen	Rulli Rolls Galets Rollen	Spina Mandrel Broche Dorn	inches mm	Elettriche Electrical Electriques elektrisch		Pneumatiche Pneumatiques pneumatisch
	B.W.G.	inches	mm	inches	mm	inches	mm	Cod.	Cod.	Cod.	Cod.		Cod.	R/141	R/161
5/8" (15,9)	14	0.083	2,11	0.459	11,7	0.437 ÷ 0.500	11,1 ÷ 12,7	R141.#-01/A	01/A-T	R161.#-01/A	01/A-V	6-01/A	F90 + MS/40 MS/60 M4/V	F90 + MS/40 M4/V	Macrol 750
	15	0.072	1,83	0.481	12,2	0.452 ÷ 0.523	11,5 ÷ 13,3	R141.#-02-M	02-T	R161.#-02-M	02-V	6-02÷02/A	Matex	Matex	
	16	0.065	1,65	0.495	12,6	0.472 ÷ 0.543	12,0 ÷ 13,8	R141.#-02/A-M	02/A-T	R161.#-02/A-M	02-A-V				
	17	0.058	1,47	0.509	12,9	0.492 ÷ 0.571	12,5 ÷ 14,5	R141.#-03-M	03-T	R161.#-03-M	03-V	6-03÷1	F90 + MP/2 MS/60 M4/V	F90 + MP/1 MS/60 M4/V	Minirol 500 Macrol 1350
	18	0.049	1,24	0.527	13,4	0.512 ÷ 0.590	13,0 ÷ 15,0	R141.#-04-M	04-T	R161.#-04-M	04-V				
	19	0.042	1,07	0.541	13,7	0.531 ÷ 0.610	13,5 ÷ 15,5	R141.#-1-M	1-1/A-T	R161.#-1-M	1-1/A-V				
	20	0.035	0,89	0.555	14,1	0.531 ÷ 0.610	13,5 ÷ 15,5	R141.#-1-M	1-1/A-T	R161.#-1-M	1-1/A-V				
22	0.028	0,71	0.569	14,5	0.531 ÷ 0.610	13,5 ÷ 15,5	R141.#-1-M	1-1/A-T	R161.#-1-M	1-1/A-V					
3/4" (19,0)	10	0.134	3,40	0.482	12,2	0.452 ÷ 0.523	11,5 ÷ 13,3	R141.#-02	02-T	R161.#-02	02-V	6-02-02/A	F90 + M4/V MS/40 M4/L	F90 + M4/V MS/30 M4/L	Macrol 450
	11	0.120	3,05	0.510	12,9	0.472 ÷ 0.543	12,0 ÷ 13,8	R141.#-02/A	02/A-T	R161.#-02/A	02/A-V	6-03÷1	Matex	Matex	
	12	0.109	2,77	0.532	13,4	0.492 ÷ 0.571	12,5 ÷ 14,5	R141.#-03	03-T	R161.#-03	03-V				
	13	0.095	2,41	0.560	14,2	0.512 ÷ 0.590	13,0 ÷ 15,0	R141.#-04	04-T	R161.#-04	04-V	6-1/A	F90 + M4/V MS/60 MP/1	F90 + M4/V MS/60	Macrol 750
	14	0.083	2,11	0.584	14,8	0.531 ÷ 0.610	13,5 ÷ 15,5	R141.#-1	1-1/A-T	R161.#-1	1-1/A-V				
	15	0.072	1,83	0.606	15,3	0.551 ÷ 0.639	14,0 ÷ 16,2	R141.#-1/A	1-1/A-T	R161.#-1/A	1-1/A-V				
	16	0.065	1,65	0.620	15,7	0.570 ÷ 0.669	14,5 ÷ 17,0	R141.#-2	2-T	R161.#-2	2-V	6-2÷3/B	Matex	Matex	
	17	0.058	1,47	0.634	16,0	0.590 ÷ 0.689	15,0 ÷ 17,5	R141.#-2/A	2/A-T	R161.#-2/A	2/A-V				
	18	0.049	1,24	0.652	16,5	0.610 ÷ 0.709	15,5 ÷ 18,0	R141.#-3	3-T	R161.#-3	3-V				
	19	0.042	1,07	0.666	16,8	0.630 ÷ 0.728	16,0 ÷ 18,5	R141.#-3/A	3/A-T	R161.#-3/A	3/A-V				
20	0.035	0,89	0.680	17,2	0.650 ÷ 0.748	16,5 ÷ 19,0	R141.#-3/B	3/B-T	R161.#-3/B	3/B-V					
22	0.028	0,71	0.694	17,6	0.650 ÷ 0.748	16,5 ÷ 19,0	R141.#-3/B	3/B-T	R161.#-3/B	3/B-V					
7/8" (22,2)	10	0.134	3,40	0.607	15,4	0.570 ÷ 0.669	14,5 ÷ 17,0	R141.#-2-M	2-T	R161.#-2-M	2-V	6-2÷3/B	F90 + M4/V MS/40 M4/L	F90 + M4/V MS/30 M4/L	Macrol 450
	11	0.120	3,05	0.635	16,1	0.610 ÷ 0.709	15,5 ÷ 18,0	R141.#-3-M	3-T	R161.#-3-M	3-V				
	12	0.109	2,77	0.657	16,6	0.630 ÷ 0.728	16,0 ÷ 18,5	R141.#-3/A-M	3/A-T	R161.#-3/A-M	3/A-V	6-5÷6	Matex	Matex	
	13	0.095	2,41	0.685	17,4	0.650 ÷ 0.748	16,5 ÷ 19,0	R141.#-3/B-M	3/B-T	R161.#-3/B-M	3/B-V				
	14	0.083	2,11	0.709	18,0	0.681 ÷ 0.799	17,3 ÷ 20,3	R141.#-5-M	5-T	R161.#-5-M	5-V				
	15	0.072	1,83	0.731	18,5	0.700 ÷ 0.812	17,8 ÷ 20,8	R141.#-5/A-M	5/A-T	R161.#-5/A-M	5/A-V	6-7÷8/A	F90 + M4/V MS/60 M4/L MP/1	F90 + M4/V MS/60 M4/L	Macrol 750
	16	0.065	1,65	0.745	18,9	0.720 ÷ 0.838	18,3 ÷ 21,3	R141.#-6-M	6-T	R161.#-6-M	6-V				
	17	0.058	1,47	0.759	19,2	0.748 ÷ 0.866	19,0 ÷ 22,0	R141.#-7-M	7-T	R161.#-7-M	7-V				
18	0.049	1,24	0.777	19,7	0.748 ÷ 0.866	19,0 ÷ 22,0	R141.#-7-M	7-T	R161.#-7-M	7-V					
19	0.042	1,07	0.791	20,0	0.748 ÷ 0.866	19,0 ÷ 22,0	R141.#-7-M	7-T	R161.#-7-M	7-V					
20	0.035	0,89	0.805	20,4	0.748 ÷ 0.866	19,0 ÷ 22,0	R141.#-7-M	7-T	R161.#-7-M	7-V					
22	0.028	0,71	0.819	20,8	0.748 ÷ 0.866	19,0 ÷ 22,0	R141.#-7-M	7-T	R161.#-7-M	7-V					
1" (25,4)	8	0.165	4,19	0.670	17,0	0.650 ÷ 0.748	16,5 ÷ 19,0	R141.#-3/B-S	3/B-T	R161.#-3/B-S	3/B-V	6-2÷3/B	F90 + M4/V M4/L MS/30	F90 + M4/V M4/L	(R/141) Macrol 450 (R/161) Macrol 200
	9	0.148	3,76	0.704	17,9	0.681 ÷ 0.799	17,3 ÷ 20,3	R141.#-5	5-T	R161.#-5	5-V	6-5÷6	Matex	Matex	
	10	0.134	3,40	0.732	18,6	0.700 ÷ 0.812	17,8 ÷ 20,8	R141.#-5/A	5/A-T	R161.#-5/A	5/A-V				
	11	0.120	3,05	0.760	19,3	0.720 ÷ 0.838	18,3 ÷ 21,3	R141.#-6	6-T	R161.#-6	6-V	6-7÷8/A	F90 + M4/V MS/60 M4/L MP/1	F90 + M4/V MS/60 M4/L	(R/141) Macrol 750 (R/161) Macrol 450
	12	0.109	2,77	0.782	19,8	0.748 ÷ 0.866	19,0 ÷ 22,0	R141.#-7	7-T	R161.#-7	7-V				
	13	0.095	2,41	0.810	20,6	0.767 ÷ 0.886	19,5 ÷ 22,5	R141.#-7/A	7/A-T	R161.#-7/A	7/A-V				
	14	0.083	2,11	0.834	21,2	0.807 ÷ 0.925	20,5 ÷ 23,5	R141.#-8/A	8/A-T	R161.#-8/A	8/A-V	6-9÷10	Matex	Matex	
	15	0.072	1,83	0.856	21,7	0.827 ÷ 0.964	21,0 ÷ 24,5	R141.#-9	9-T	R161.#-9	9-V				
	16	0.065	1,65	0.870	22,1	0.846 ÷ 0.984	21,5 ÷ 25,0	R141.#-9/A	9/A-T	R161.#-9/A	9/A-V				
	17	0.058	1,47	0.884	22,4	0.866 ÷ 1.004	22,0 ÷ 25,5	R141.#-10	10-T	R161.#-10	10-V				
	18	0.049	1,24	0.902	22,9	0.866 ÷ 1.004	22,0 ÷ 25,5	R141.#-10	10-T	R161.#-10	10-V				
	19	0.042	1,07	0.916	23,2	0.866 ÷ 1.004	22,0 ÷ 25,5	R141.#-10	10-T	R161.#-10	10-V				
20	0.035	0,89	0.930	23,6	0.866 ÷ 1.004	22,0 ÷ 25,5	R141.#-10	10-T	R161.#-10	10-V					
22	0.028	0,71	0.944	24,0	0.866 ÷ 1.004	22,0 ÷ 25,5	R141.#-10	10-T	R161.#-10	10-V					

Consigliate
Suggested
Conseillées
Empfehlung

Possibili
Possible
Possibles
Variationsmöglichkeiten

MALS
ITALY

TE-45