



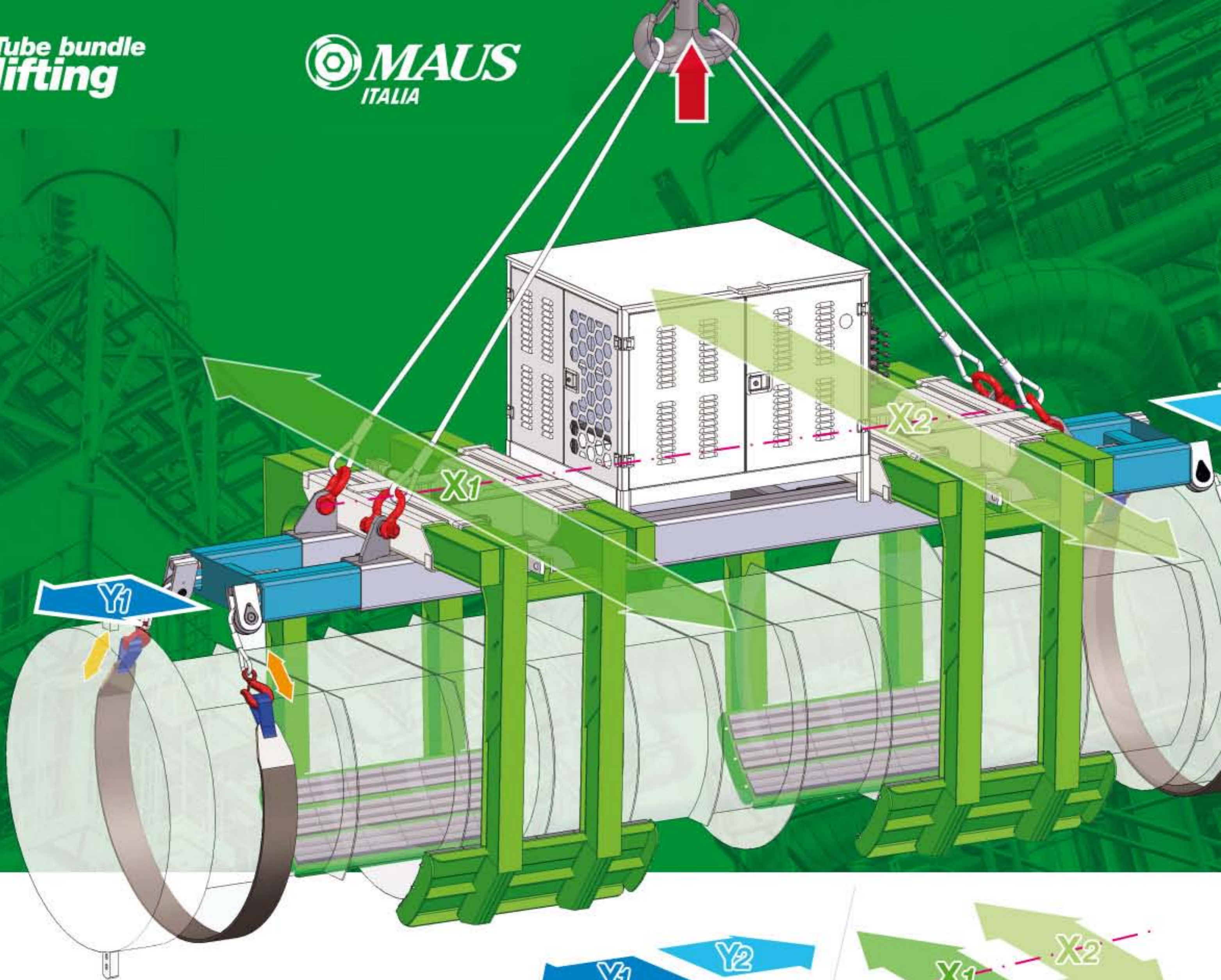
BundleTutor 1500

*Multi grab quick lifting machine
for protecting the tube bundle
during handling*



CE

MADE IN ITALY



Diesel or electric motorisation



ATEX certification on request

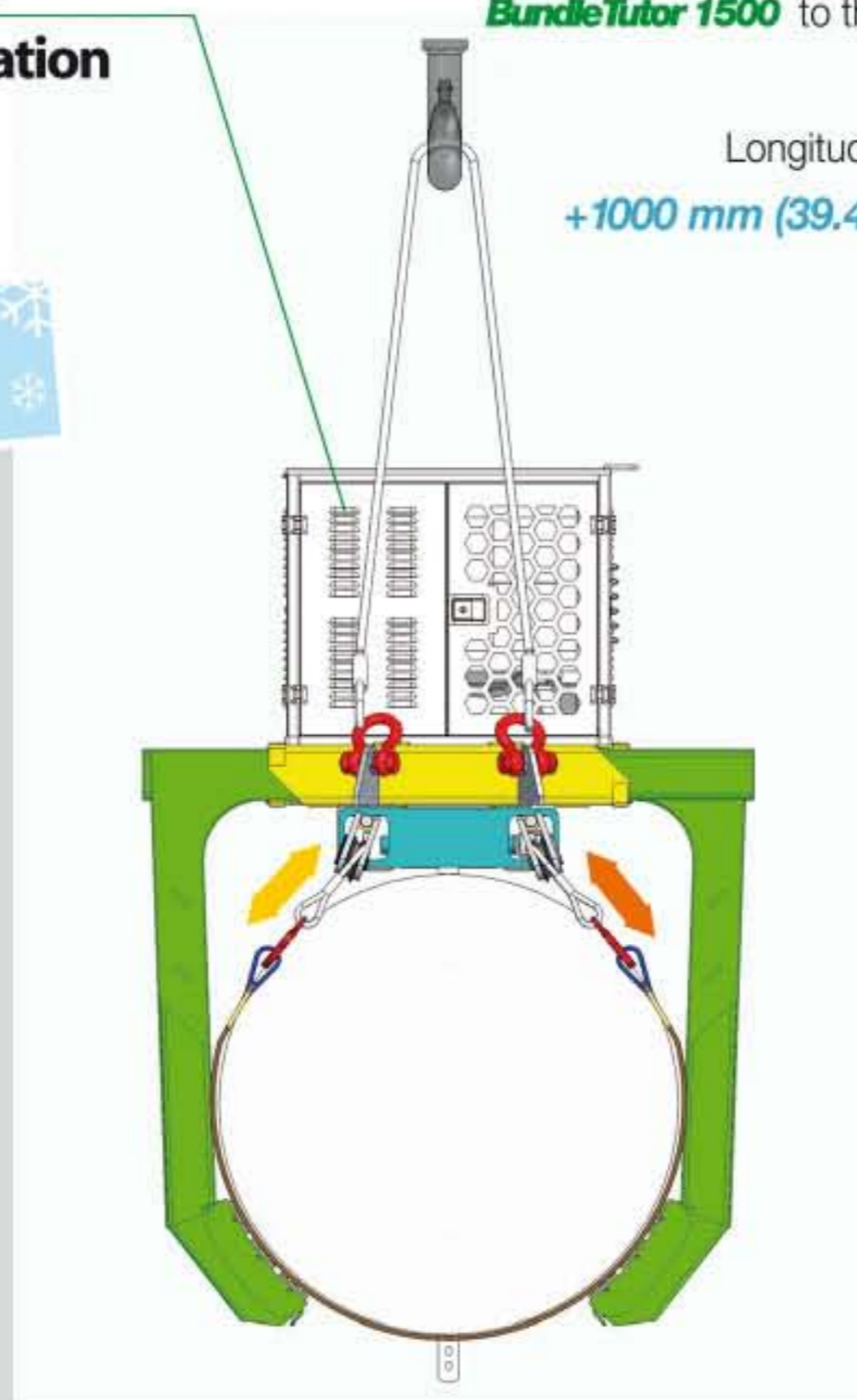
Independent telescopic hydraulic beams to ensure balancing and adaptation of the **BundleTutor 1500** to the geometry of the tube bundle:

Longitudinal extension **Y**
+1000 mm (39.4") on each side

Symmetrical opening and closing of the jaws relative to the axis of the tube bundle to ensure **perfect centring**:

Transverse opening **X**
+600 mm (23.6") on each side

On request, **SPECIAL VERSION** for low temperatures



Independent adjustable cables

Ensures compensation for any asymmetrical positioning errors of the "saddle" bands located underneath the tube bundle.

The bands, together with the central jaws, ensure perfect balancing of the bundle along its longitudinal axis, preventing flexions and deformations of the end portions of the tubes, caused by the weight of the projecting portions of the bundle.



BundleTutor can be designed, on request and after technical verification, for different bundle dimensions and weights.



BundleTutor 1500

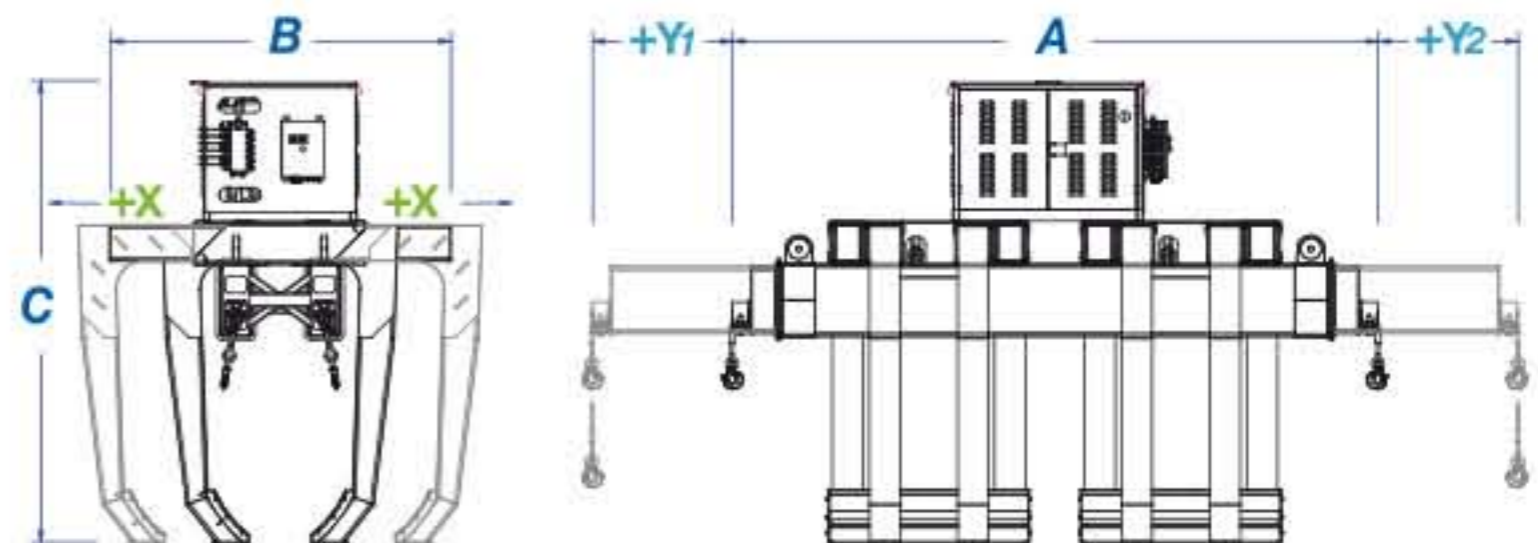
Multi grab quick lifting machine for protecting the tube bundle during handling

Specially designed and **patented** by Maus Italia, the **BundleTutor 1500** brilliantly solves the **problem of grabbing and tube bundles lifting during handling (production / maintenance)**, while operating in total **safety** and **eliminating the risk of damaging the baffles or crushing the tube bundle tubes**.



Commands

- Start/stop key for Diesel engine
- Longitudinal front hydraulic extensions
- Longitudinal back hydraulic extensions
- Transverse front hydraulic extensions
- Transverse back hydraulic extensions
- Independent control (left/right) front band
- Independent control (left/right) back band
- Emergency push button



Maximum tube bundle dimensions and weights

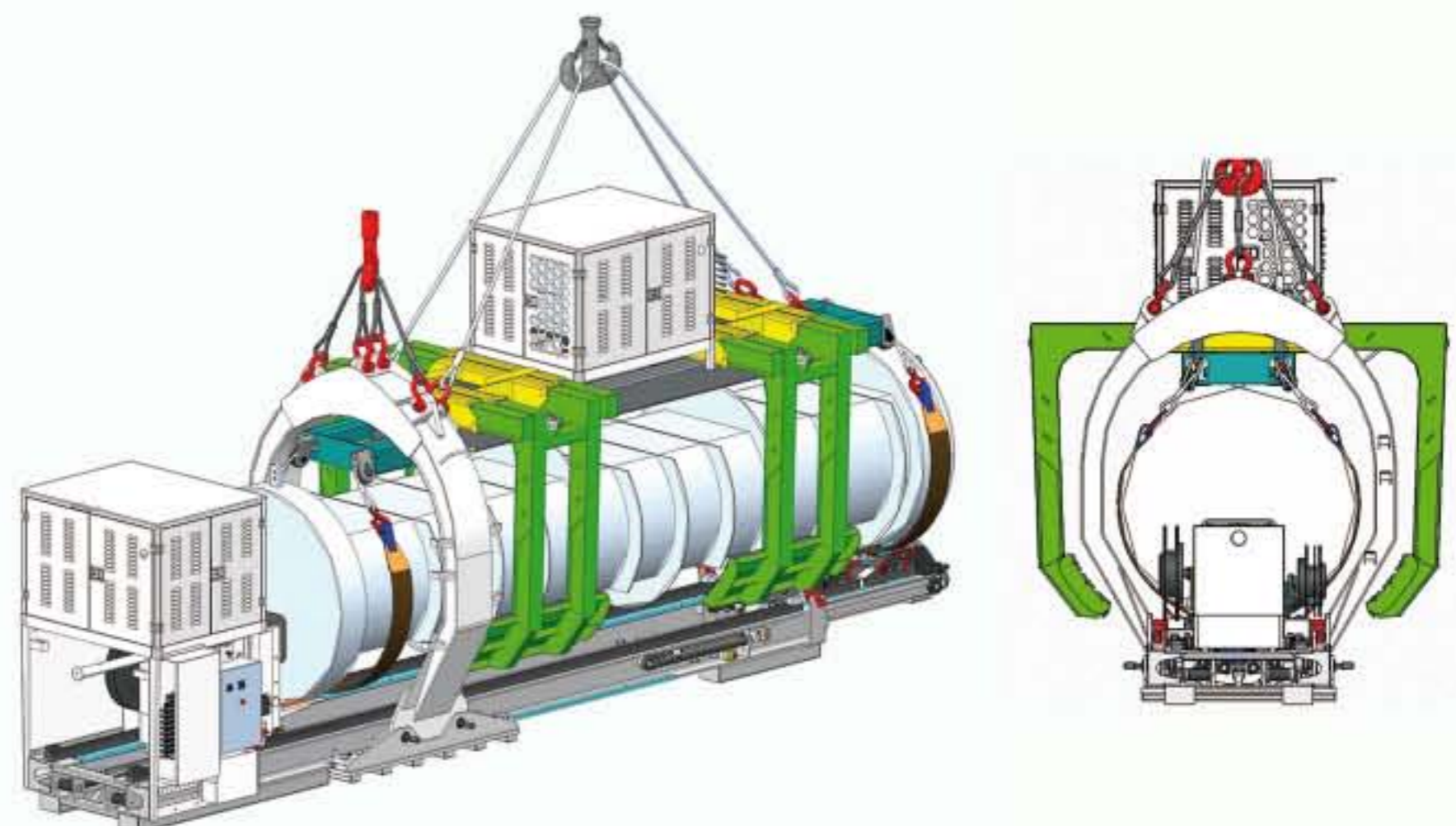
Ø baffle (min.)	mm inches	400	15.7
Ø baffle (max.)	mm inches	1500	118
Length	mm inches	6400	252
↑ Lifting capacity (max.)	T Lb	25	55000

Max overall dimensions of the BundleTutor 1500

Length	A	mm Ft	4610	15.2
Width	B	mm Ft	2060	6.8
Height	C	mm Ft	3300	10.9
Weight	T	Lb	6,5	14330

Loading onto and unloading from Mef Series tube bundle pullers

The **BundleTutor 1500** has been designed to be most frequently used in conjunction with the Maus Italia **Mef** series tube bundle puller, such as the aerial **Mef express** and the independent mobile **Mef mobil** in its on-shore model or off-shore (**NAVY**) model.



Designed in accordance with the FEM A3 Directives of the European Federation of Material Handling and in compliance with Machinery Directive 2006/42 CE. - UNI CEN13001, DNVGL 2.22, DNVGL2.7-3



MAUS ITALIA S.P.A.
SP415 KM30 (nuova strada di arrocco)
26010 BAGNOLO CREMASCO (CR)
ITALIA

Tel. +39 0373 2370
expo@mausitalia.it

